
SCOUT PROJECT GUIDE

with Waukesha County Parks



**Waukesha County
Park System**



Thanks For Reaching Out! Lets Get Started

The Waukesha County Park System is happy to have Scouts that want to complete their Projects within the Park System. This program has developed over the years as have the projects and Parks. Based on this, the County looks to develop a standard process for Scouts as they are looking to complete their projects. If you do not see your project in this guide, you are invited to submit a new project idea. All project ideas will be reviewed by PLU staff. Project ideas may not be approved if it is determined that the project would not be a good fit for the park system.

<https://www.waukeshacounty.gov/landandparks/park-system/park-volunteers/>

Project Proposal Standards : Your Project Must Be Started Within 6 Months of the Date of Application, or you will need to submit a new project proposal.

Submittal Deadline for Spring/Summer Projects : 12/31 of the previous year
Submittal Deadline for Fall/Winter Projects: 6/30

All Projects Are Subject to County Staff Approval

Projects that will not be approved for the County Parks:

- Dog Agility Courses
- Brush Removal Projects
- Flagpoles
- Painting Projects

Please Visit Project's Page for More Details

Questions Before You Get Started?
Call Our Park Program Specialist at 262-896-8074

Steps for Completing Your Project

Please follow these steps to complete your Scout Project. The majority of communication is handled via email, be sure to monitor your email closely through the duration of your project.

1. Review our project options through this guide
2. Submit a [Scout Project Interest Form](#) noting which project you would like to complete. Deadline for Spring/Summer Projects is December 31 of the previous year. Deadline for Fall/Winter Projects is June 30 of project year.
3. Submit a volunteer application to the Park Program Specialist
4. Schedule a meeting to review/approve workplan before work can begin.
Please note: Project must be started within 6 months of the Date of Application or a new submission is required.
5. Begin fundraising if needed for your project
6. Complete your project, keeping the Park Program Specialist updated with project status and volunteer hours
7. Once project has been completed, reach out to the Park Program Specialist to set up a time either drop off project pieces or complete project installation at the park.
8. Provide finished workbook to Park Program Specialist for final signature, make sure volunteer hour totals are entered.

Thank you for working with Waukesha County Parks!

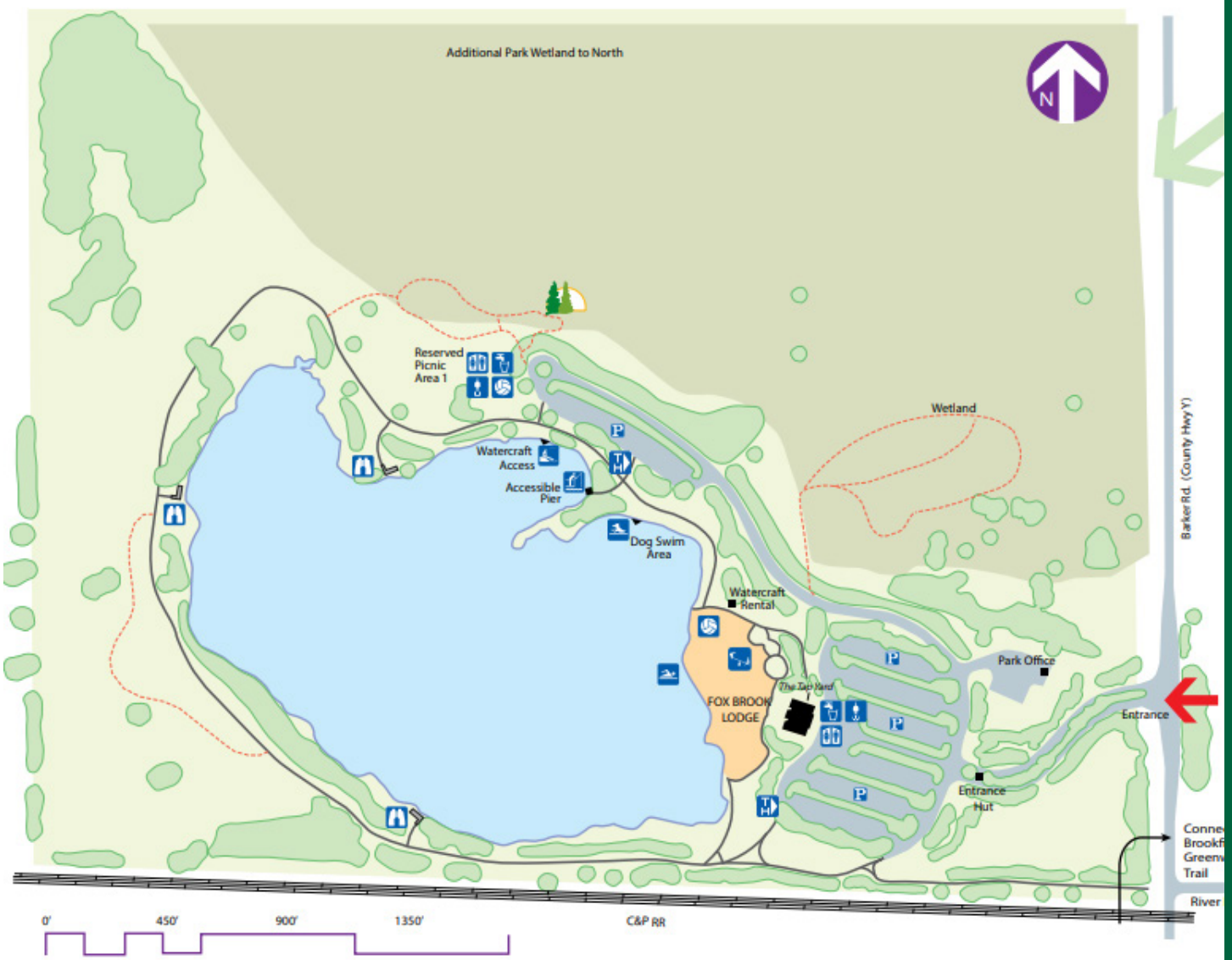
Park Projects Available

Thank you for coordinating a project with the Waukesha County Park System. We will have approved building plans for the following projects for you to follow. If you have questions about any part of the plan, please reach out to our Park Program Specialist at 262-896-8074 and they will be happy to assist you!

Park Benches
Tree/Planting Replacements
Building Wildlife Shelters
Shade Structure
Boardwalk Improvements
Wildlife Viewing Spots
Archery Area Improvements
Trail Improvement Projects
Fish Cribs

Fox Brook Park

2925 N. Barker Road, Brookfield, WI 53045



Projects Available:

- Park Benches: Minimum of 3 Benches
- Fundraising for Tree Replacement
- Building Wildlife Shelters
- Fish Cribs

Fox River Park

W264 S4500 River Road, Waukesha, WI 53186



Projects Available:

- Park Benches: Minimum of 3
- Tree Planting/Replacement
- Building Wildlife Shelters
- Shade Structure
- Hawk Poles

Menomonee Park

W220 N7884 Town Line Road, Menomonee Falls, WI 53051

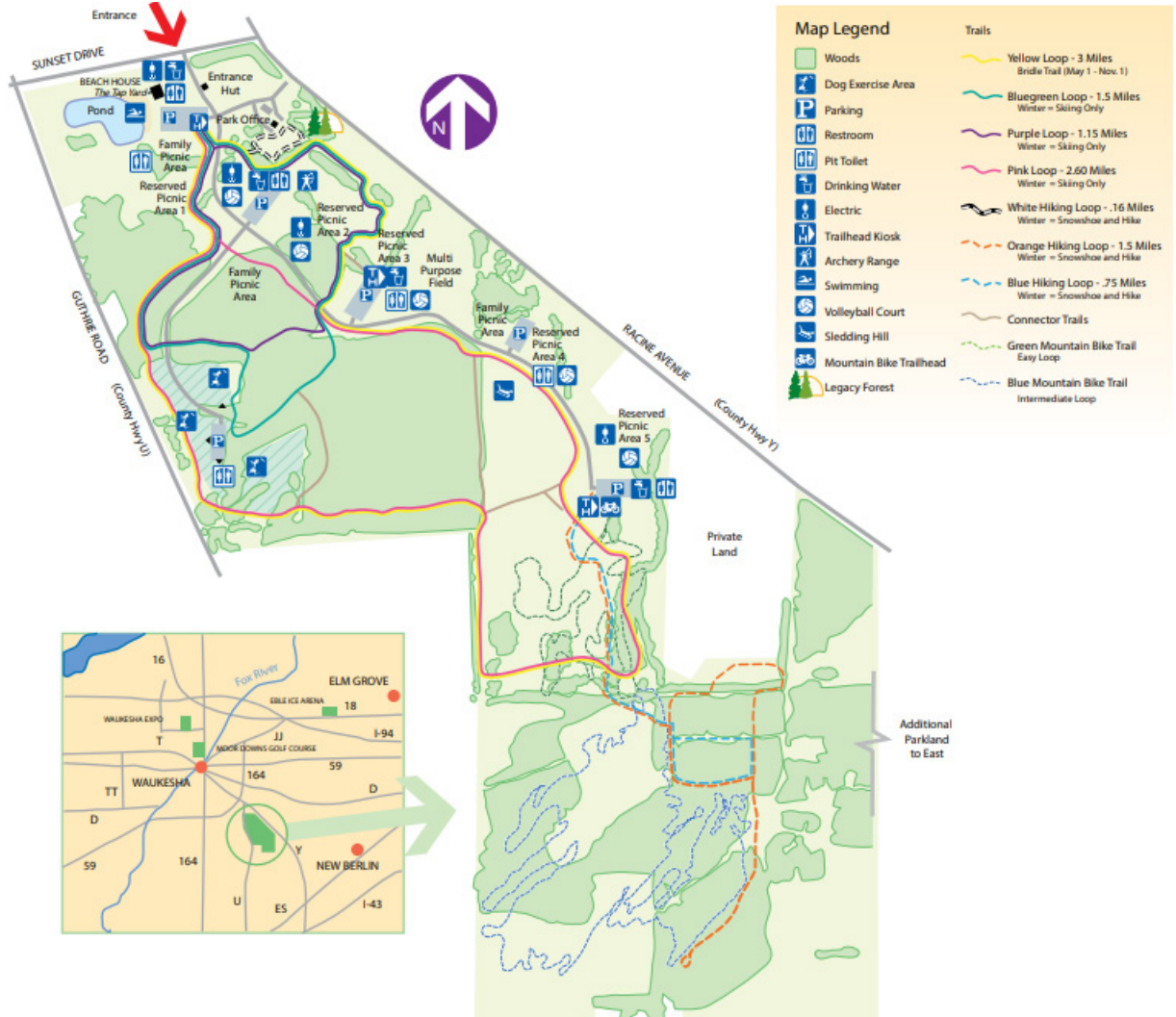


Projects Available:

- Park Benches: Minimum of 3
- Tree Planting/Replacement
- Building Wildlife Shelters
- Shade Structure in DEA
- Boardwalk Improvements
- Camp Pow Wow Improvements
- Wildlife Viewing Spots
- Archery Area Improvements
- Fish Cribs

Minooka Park

1927 E. Sunset Drive, Waukesha, WI 53186

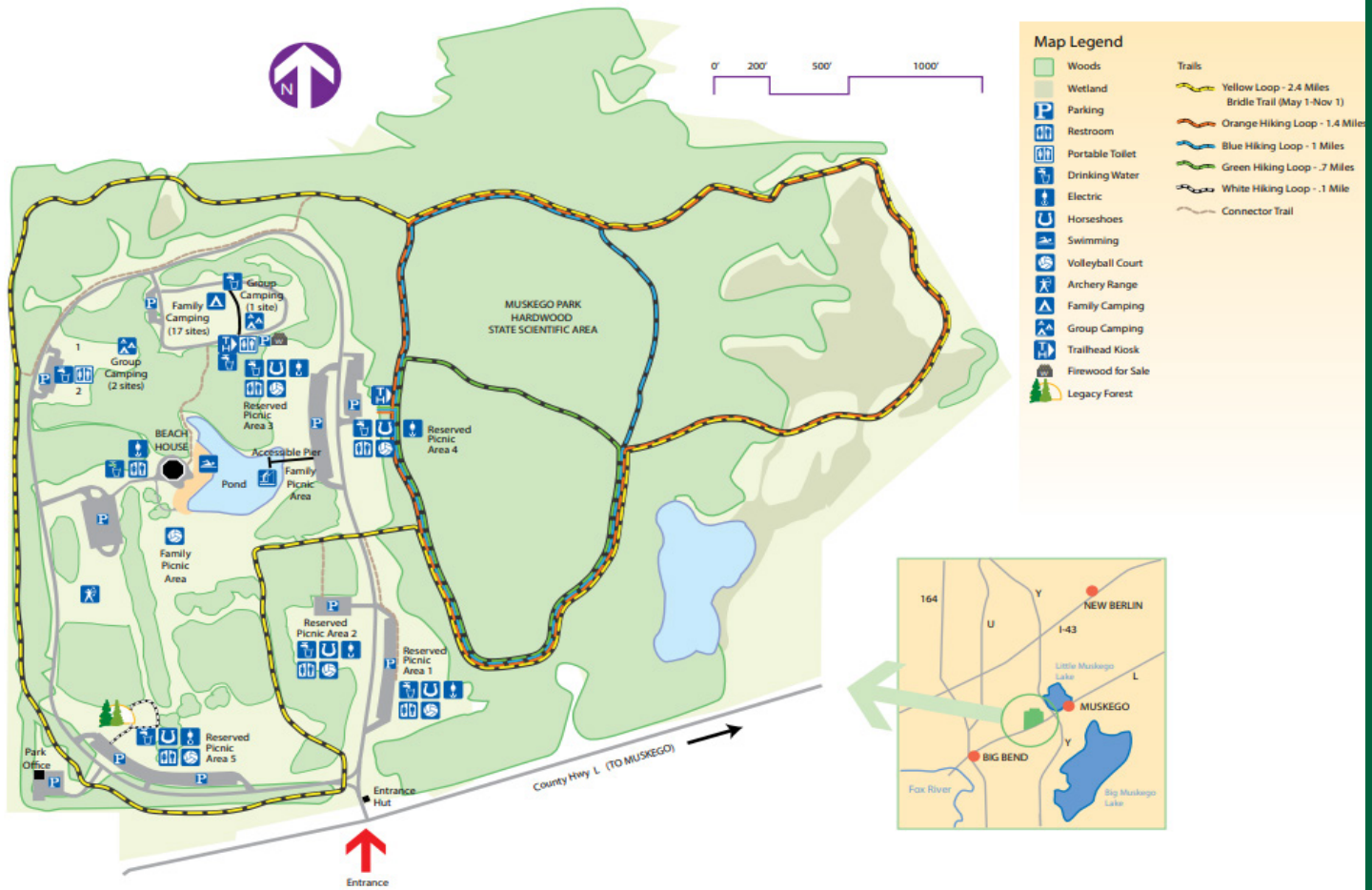


Projects Available:

- Park Benches: Minimum of 3
- Tree Planting/Replacement
- Building Wildlife Shelters
- Shade Structure in DEA
- Boardwalk Improvements
- Wildlife Viewing Spots
- Archery Area Improvements

Muskego Park

583 W20370 Janesville Road, Muskego, WI 53150



Projects Available:

- Park Benches: Minimum of 3
- Tree Planting/Replacement
- Building Wildlife Shelters
- Boardwalk Improvements
- Wildlife Viewing Spots
- Archery Area Improvements

Mukwonago Park

S100W31900 County Hwy LO, Mukwonago, WI 53149



Projects Available:

- Park Benches: Minimum of 3
- Tree Planting/Replacement
- Building Wildlife Shelters
- Shade Structure in Dog Exercise Area
- Boardwalk Improvements
- Wildlife Viewing Spots

Nashotah Park

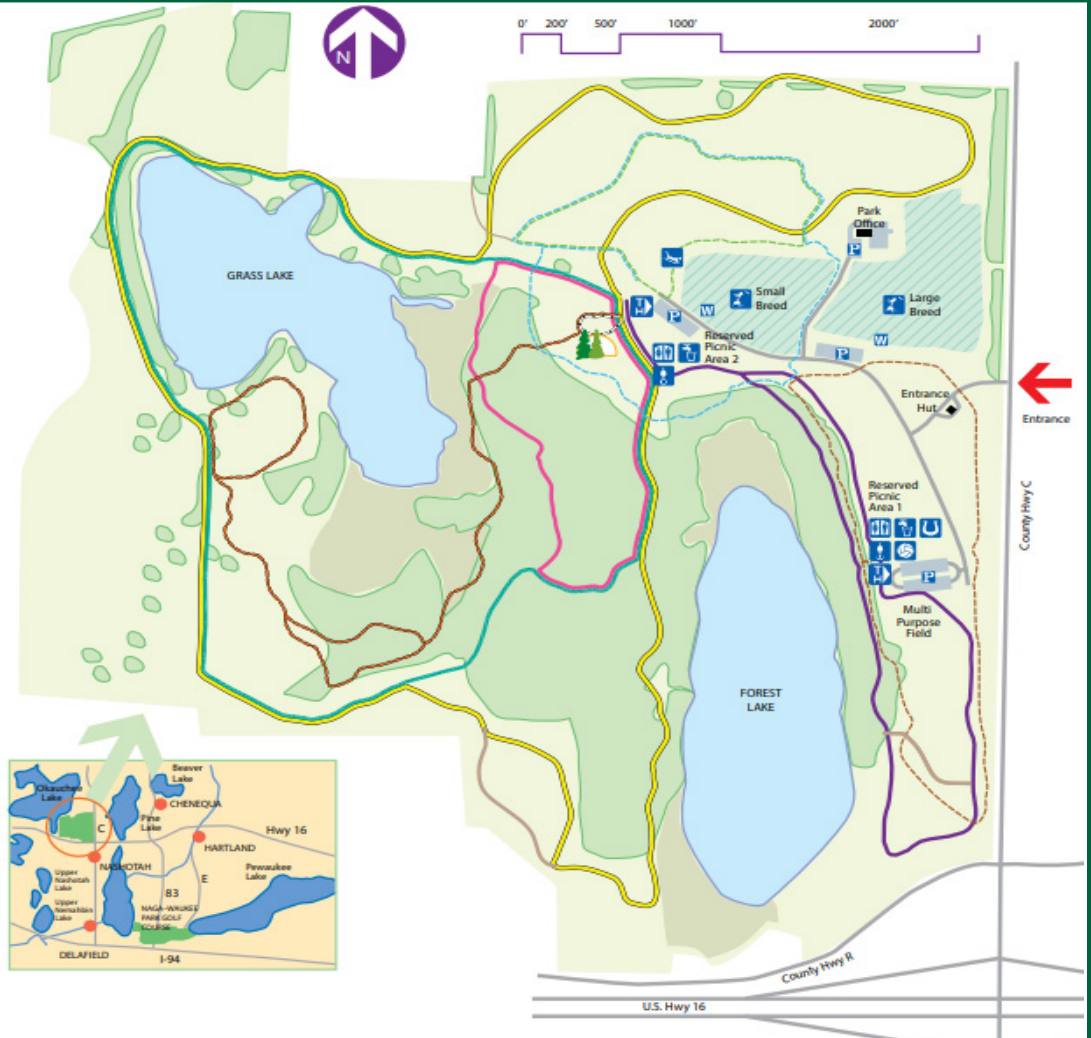
W330 N5113 County Rd C, Nashotah, WI 53058

Map Legend

- Woods
- Wetland
- Dog Exercise Area
- Parking
- Restroom
- Drinking Water
- Dog Watering Station
- Electric
- Volleyball Court
- Horseshoes
- Sledding Hill
- Trailhead Kiosk
- Legacy Forest

Trails

- Yellow Loop - 3.3 Miles (Winter = Ski Only)
- Blue/Green Loop - 1.9 Miles (Winter = Ski Only)
- Purple Loop - 1.4 Miles (Winter = Ski Only)
- Pink Loop - 0.9 Mile, Steep (Winter = Ski Only)
- Connector Trail
- Orange Hiking Loop - 1.3 Miles (Winter = Ungroomed)
- Brown Hiking Loop - 1.2 Miles (Winter = Ungroomed)
- Blue Hiking Loop - 1.15 Miles (Winter = Ungroomed)
- Green Hiking Loop - 0.75 Mile (Winter = Ungroomed)
- White Hiking Loop - 0.1 Mile (Winter = Ungroomed)

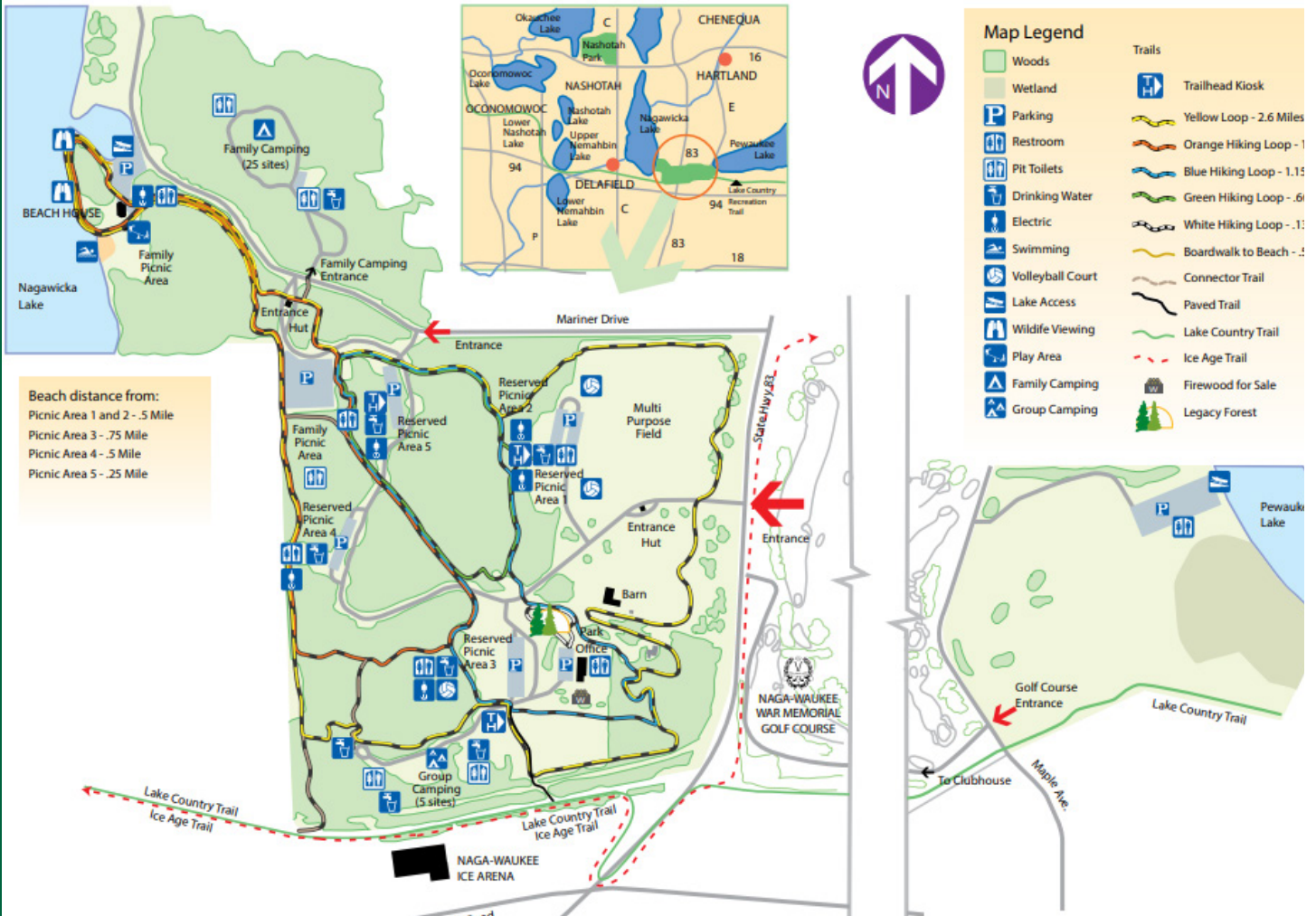


Projects Available:

- Park Benches: Minimum of 3
- Tree Planting/Replacement
- Building Wildlife Shelters
- Shade Structure in Dog Exercise Area
- Wildlife Viewing Spots

Naga-Waukeee Park

651 Hwy 83, Hartland, WI 53029

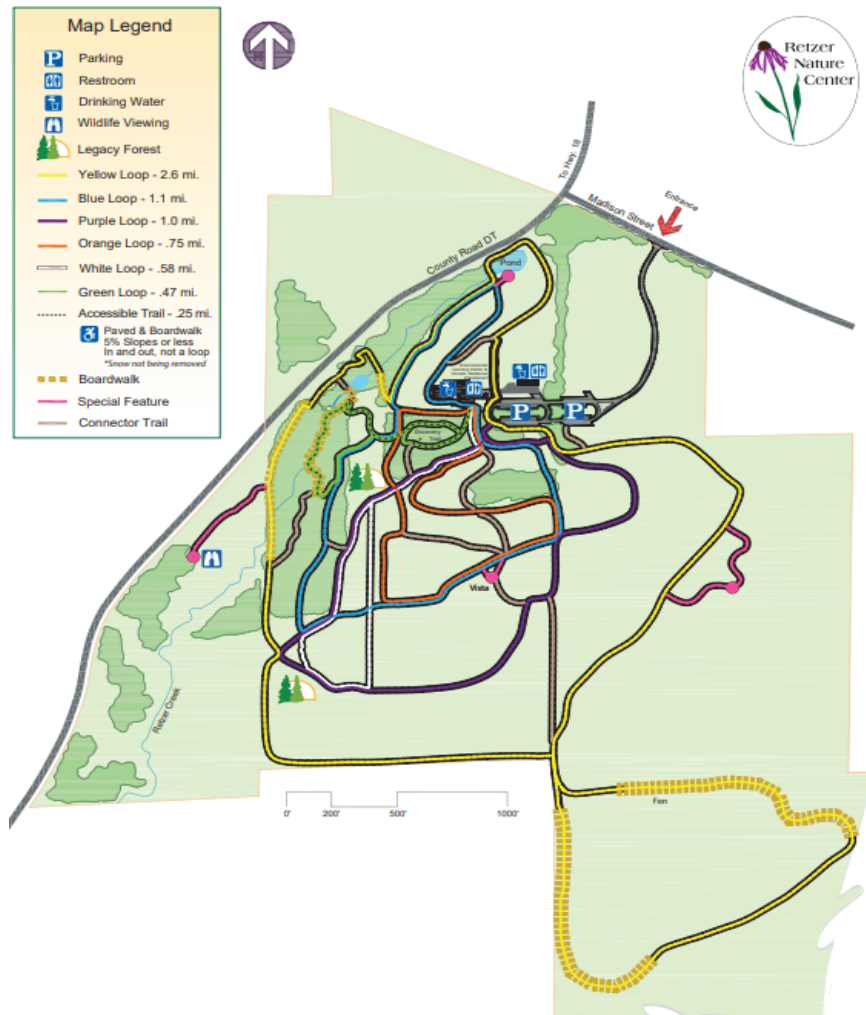


Projects Available:

- Park Benches: Minimum of 3
- Tree Planting/Replacement
- Building Wildlife Shelters
- Boardwalk Improvements

Retzer Nature Center

S14 W28167 Madison Street, Waukesha, WI 53188

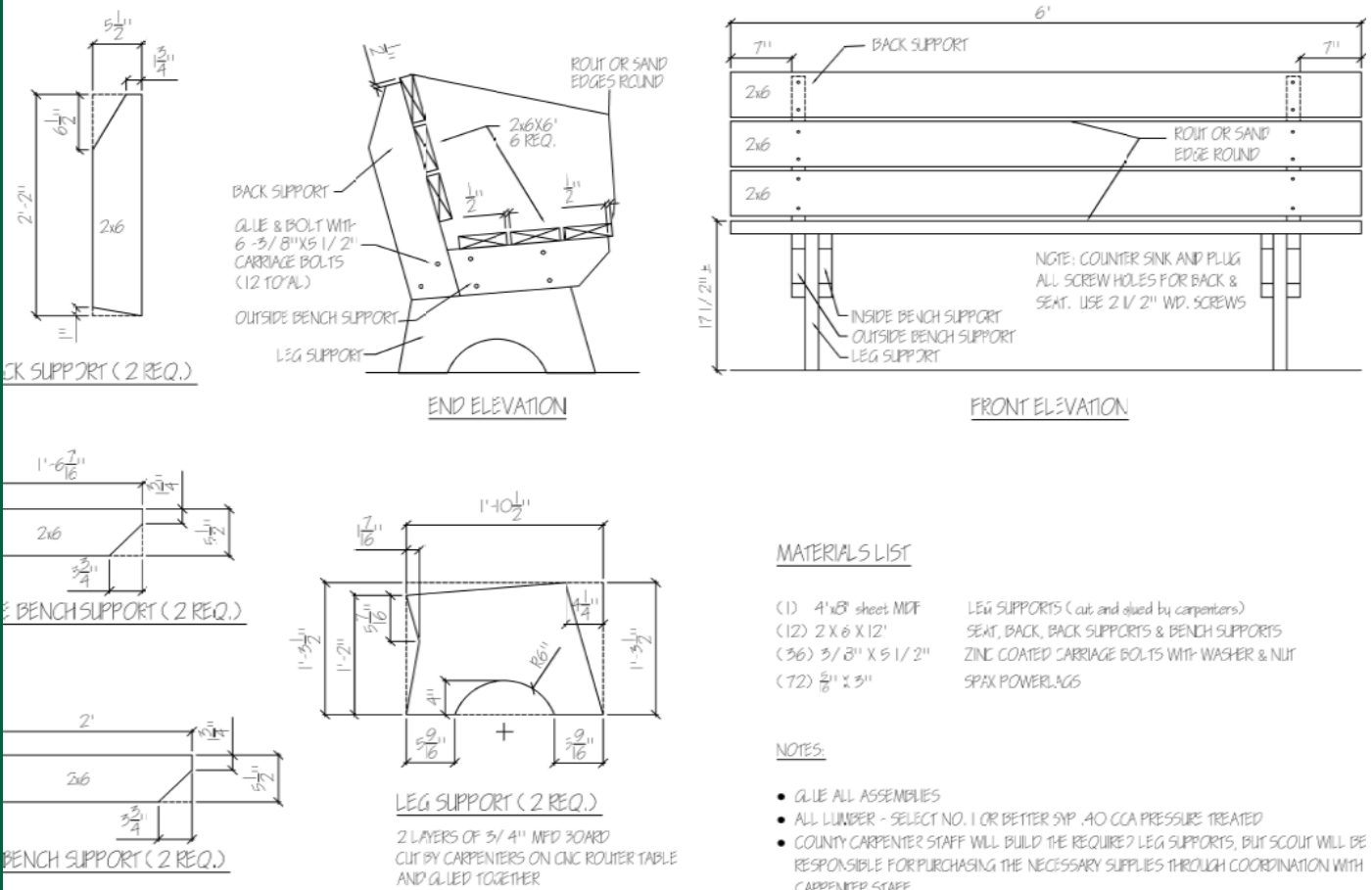


Projects Available:

- Park Benches: Minimum of 3
- Tree Planting/Replacement
- Building Wildlife Shelters
- Old Homestead Improvements
- Boardwalk Improvements
- Wildlife Viewing Spots

Park Benches

The County requires the Scout build a minimum of three benches for their selected park. Benches are used along trails in parks, Dog Exercise Areas, and along Rec Trails throughout the County. This project requires coordination between the Scout, Park Program Specialist, and Waukesha County Carpenters. Construction of benches is done off-site and Scouts deliver completed benches to the park for placement by park staff.



County Carpenters Contact: 262-646-3737

Building Plans will be provided by the Park Program Specialist once the Project Idea has been approved

Building Wildlife Shelters

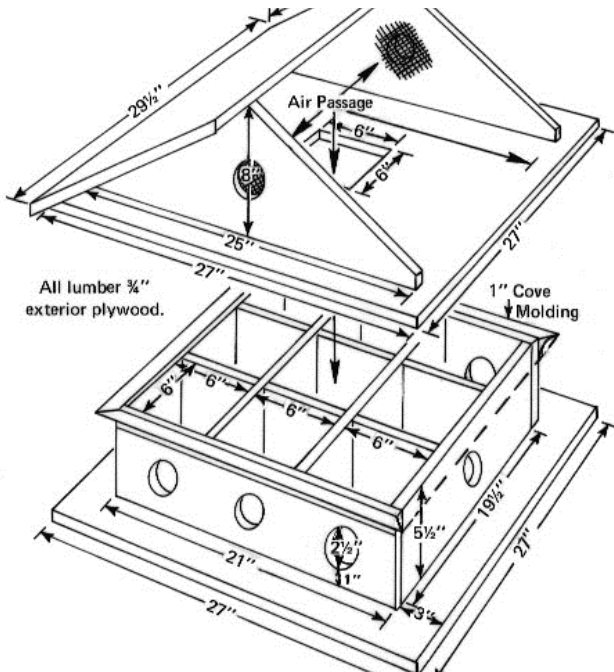


The County has many different species of animals that are in need of additional shelters. Currently the County is most in need of the following animal shelters: Purple Martin Houses, Flying Squirrel Houses, Wood Duck Houses, Bat Houses, Osprey Platforms, Owl Houses, and Kestrel Boxes. When Scouts are constructing these shelters, they are required to research the best placement for each of the boxes and propose the location to the Park Program Specialist and Conservation Biologist for approval. If the installation of the shelter will require assistance from Park Staff, those dates must be agreed upon and be within the regular business hours of 8:00am-4:30pm. The following pages will provide you with responsibilities for each of the shelters listed.



Purple Martin Houses

Purple Martins are a species that are more dependent on people than others like them. Purple Martins have lost habitat to competing species and predators so they have adopted a preference for human-erected housing.



Every house installation needs to include the proper predator guards and appropriate access to clean out at the end of the season

Building Plans will be provided by the Park Program Specialist once the Project Idea has been approved



If the Scout chooses to build Purple Martin Houses, the County requires that two are built for the park. The placement of the houses will be agreed upon by the Scout, Foreman, and Conservation Biologist.

Flying Squirrel Nest Box

Help Waukesha County Parks contribute to the preservation and enhancement of Southern Flying Squirrel populations and habitat by building Flying Squirrel houses for one of our County Parks or Greenways



Responsibilities

Scout will be responsible for constructing two houses and transporting them to the Park for installation. No construction will happen at the Park. Scout is also responsible for researching suitable locations for placement within park or greenway boundaries.

If the Scout chooses to build a Flying Squirrel House, the County requires that two be built for the park. Final placement will need to be agreed upon by the Scout, Foreman, and Conservation Biologist. The Scout will need to research and verify that they can access the proper location for installation.

Building Plans will be supplied by the Park Program Specialist after project approval

Wood Duck Nest Box

Help Waukesha County Parks contribute to the preservation and enhancement of wood duck populations and habitat by building wood duck houses for one of our County Parks or Greenways



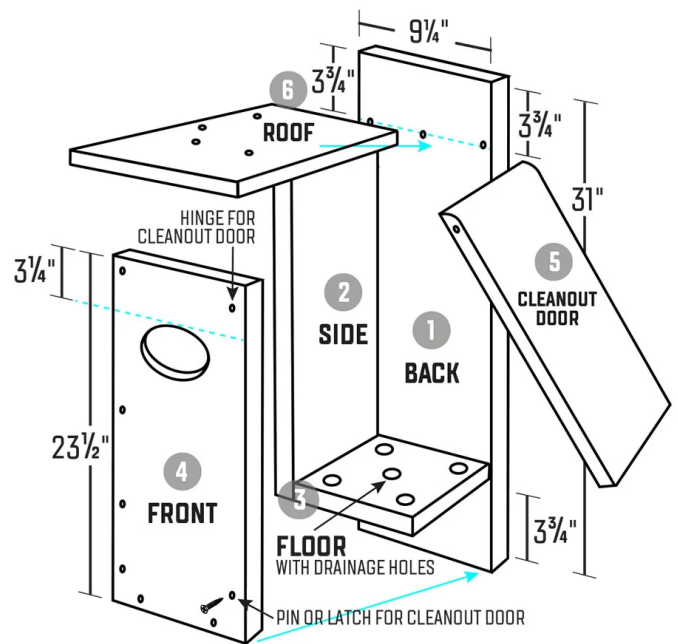
Responsibilities

Scout will be responsible for constructing three houses and transporting them to the Park for installation. No construction will happen at the Park.

Scout is also responsible for researching suitable locations for placement within park or greenway boundaries.

Park staff will be responsible for calling Diggers Hotline prior to installation if mounting pole is required.

If the Scout chooses to build Wood Duck Houses, the County require that three are built for the park. The placement of the houses will be agreed upon by the Scout, Foreman, and Conservation Biologist. When building these, the Scout will need to make sure that they include cedar wood shavings to the bottom of the house and a way to lower the house for annual cleaning.



Building Plans will be supplied by the Park Program Specialist after project approval

Bat House

Building Bat Houses encourages bats to live on your property and is a great way to help this threatened species. There are not any proven strategies to attract bats but by building and installing bat houses on your property it encourages them to take up habitation.



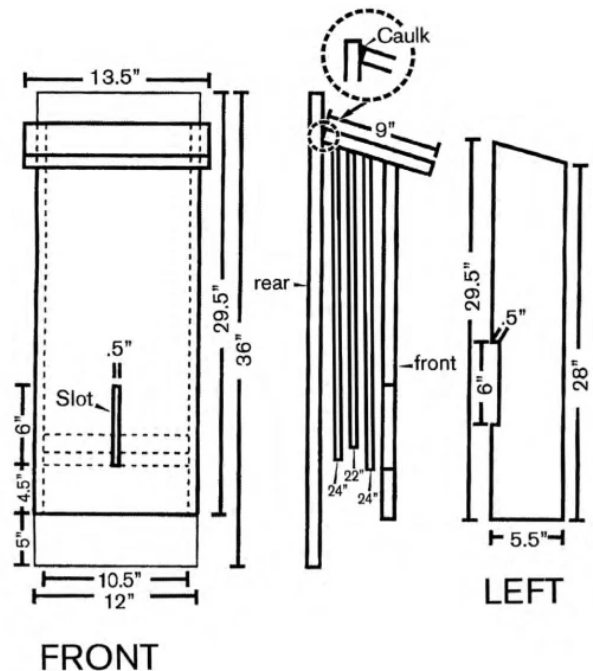
Responsibilities

Scout will be responsible for constructing four bat houses to be placed at agreed upon locations within the park/or green-way.

Scout will research to see how the houses need to be oriented when installed.

Park Staff will be responsible for calling.

If the Scout chooses to build a Bat House, the County will request that 4 are built for the park. The placement of the houses will be agreed upon by the Scout, Foreman, and Conservation Biologist.



Building Plans will be supplied by the Park Program Specialist after project approval

Osprey Platform

Help Waukesha County Parks provide a safe place to raise their young by installing an Osprey Platform at one of the County Parks.

Responsibilities

The Scout will be responsible for constructing and transporting the Osprey Platform to the Park for installation. No construction will happen at the Park.

Scout is also responsible for researching suitable locations for placement within park or greenway boundaries.

Park staff will be responsible for calling Diggers Hotline prior to installation and arranging for any speciality equipment needed for install.

Platform placement will be an agreed upon location by Park Foreman, Scout, and Conservation Biologist.



Building Plans will be supplied by the Park Program Specialist after project approval

Owl Nest Boxes

Help provide a safe cavity nest for owls in our county by building owl nest boxes for one of the County Parks.

Responsibilities

Scout is responsible for constructing three nest boxes and transporting them to the Park for installation. No construction will happen at the Park.

Scout is responsible for researching suitable locations for placement within park or greenway boundaries. The final location for placement will be agreed upon by Park Foreman, Scout, and Conservation Biologist.

Park staff will be responsible for calling Diggers Hotline prior to installation.



Building Plans will be supplied by the Park Program Specialist after project approval

Kestrel Nest Boxes

Kestrels need a safe nesting location to raise their brood. Help increase the kestrel numbers in our community by building Kestrel Nest Boxes for a County Park.



Responsibilities

Scout is responsible for constructing three nest boxes and transporting them to the Park for installation. No construction will happen at the Park.

Scout is also responsible for researching suitable locations for placement within park or greenway boundaries. Any nest boxes that are installed on posts will need to be able to be lowered for cleaning. The final location will be agreed upon by Park Foreman, Scout, and Conservation Biologist.

Park staff will be responsible for calling Diggers Hotline prior to installation and arranging for any speciality equipment needed for install.

Building Plans will be supplied by the Park Program Specialist after project approval

Fish Cribs

Help Waukesha County Parks improve the fish habitat in our lakes by building fish cribs! Fish Cribs provide dense cover that fish need and provide additional fishing opportunities in local lakes.



Responsibilities

Scout would be responsible for building three Fish Cribs to be installed at one of the suitable County Parks. The Scout will be responsible for constructing and transporting the Fish Cribs to the Park for installation.

Building Plans will be supplied by the Park Program Specialist after project approval

Archery Area Improvements

Waukesha County has four Archery Ranges throughout the Park System. The ranges are located at Menomonee, Minooka, Mukwonago, and Muskego Park. These ranges have become more popular in recent years and it has been brought to our attention that they need some updating to keep up with current trends.



Responsibilities:

The Scout would be responsible for coordination with designated County staff to work on the approved update to the Archery Range. The Scout would be in charge of fundraising for any needed materials/supplies and then completing the improvements.

Improvements Needed:

- Equipment Locker
- Target Stand Updating
- Handicap Accessible Archery Station?
- Other Improvements??

Building Plans will be supplied by the Park Program Specialist after project approval